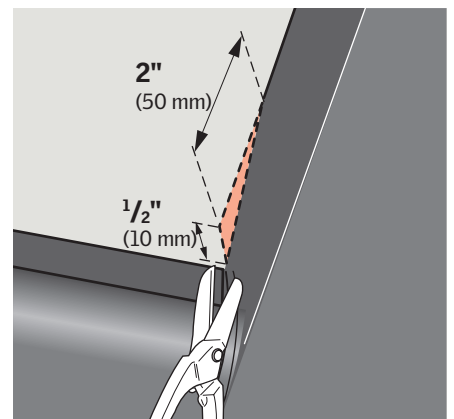
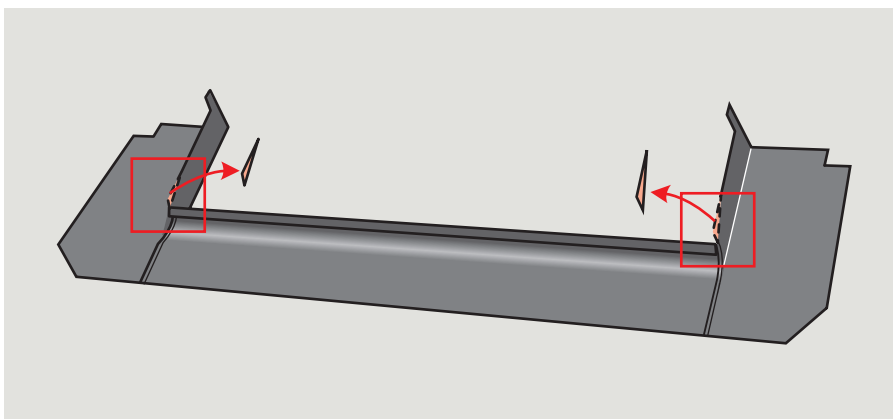
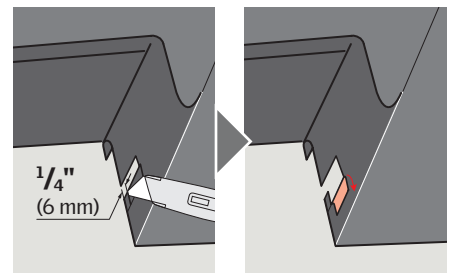
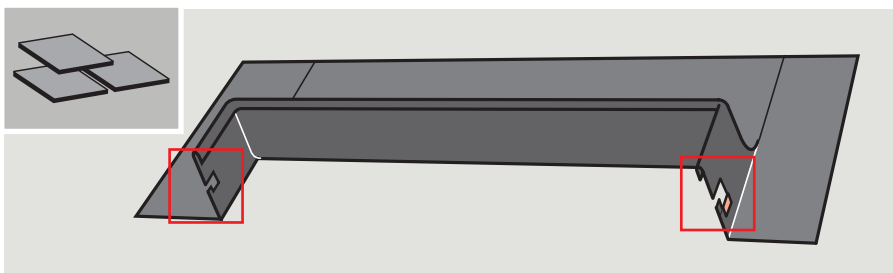
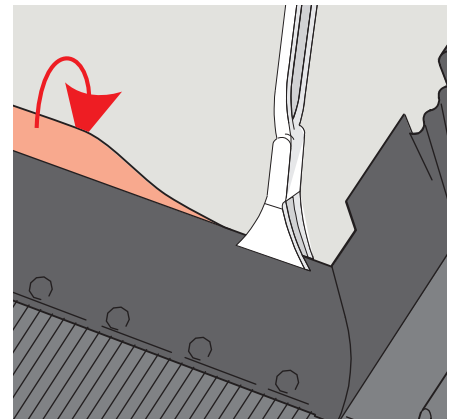
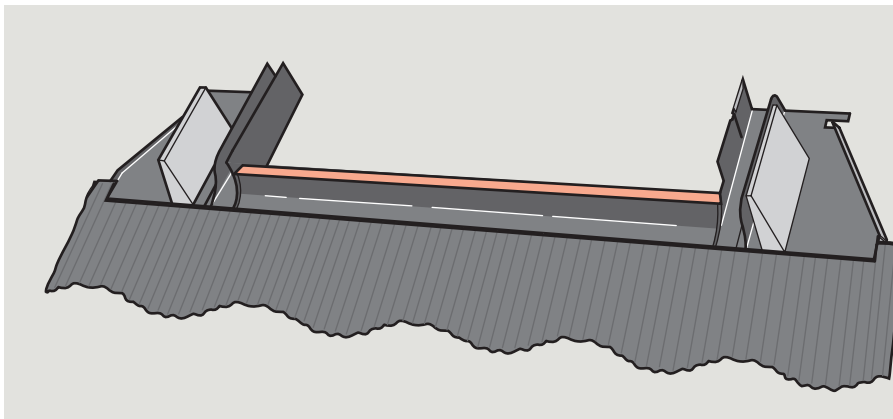
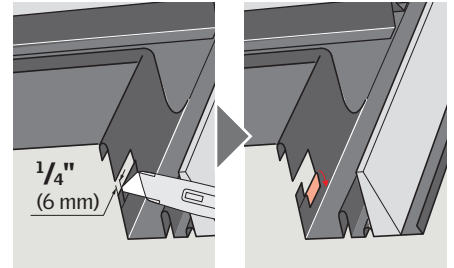
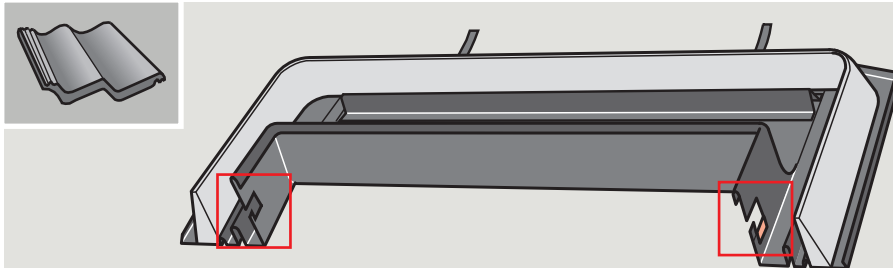


Supplementary flashing instruction for FS, VS, VSE

取り付け補足事項 (FS, VS, VSE)



USA:
VELUX America Inc.
1-800-88-VELUX

CDN:
VELUX Canada Inc.
1 800 88-VELUX
(888-3589)

AUS:
VELUX Australia Pty. Ltd
(02) 1300 859 856

NZ:
VELUX New Zealand Ltd.
0800 650 445

J:
VELUX-Japan Ltd.
03(3478)81 41

