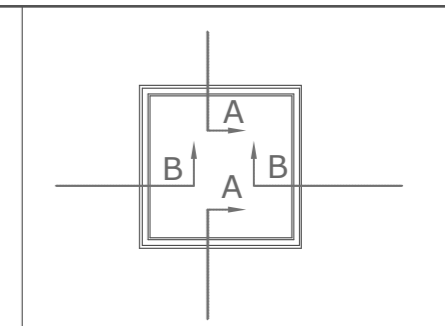
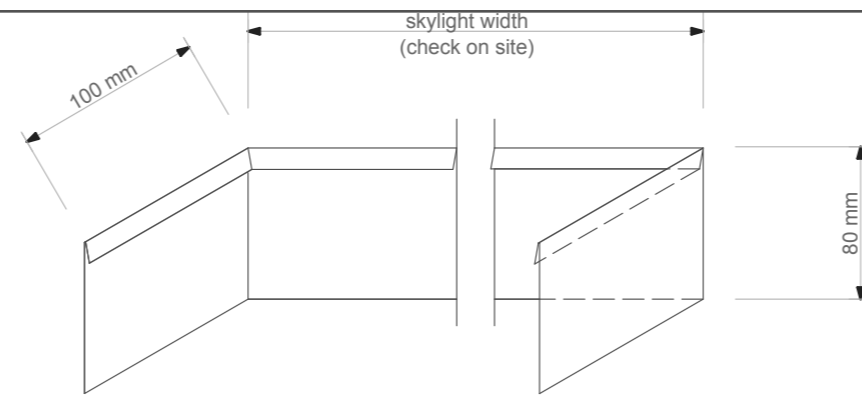


**VELUX VSE Electric Opening Skylight installation guidelines for roofs with roof pitch less than 15 degrees**

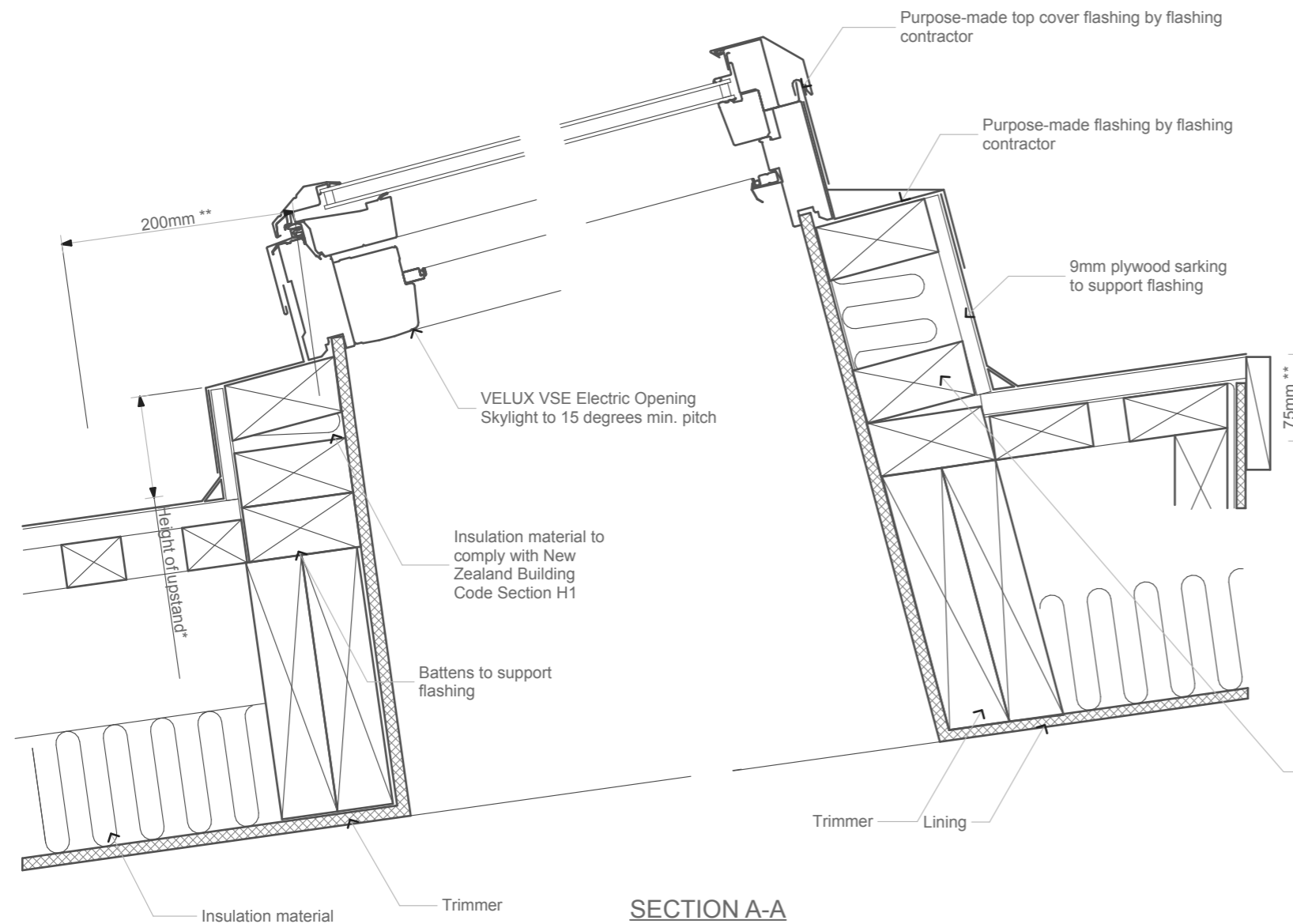
For roofs with roof pitches less than 15 degrees, the VELUX VSE Electric Opening Skylight must be installed to a min. 15 degrees

A purpose made flashing designed to meet the conditions set out in Section E2 of the New Zealand Building Code shall be manufactured and installed by a specialised flashing contractor. This flashing must be guaranteed against weather-tightness by the specialist flashing contractor.

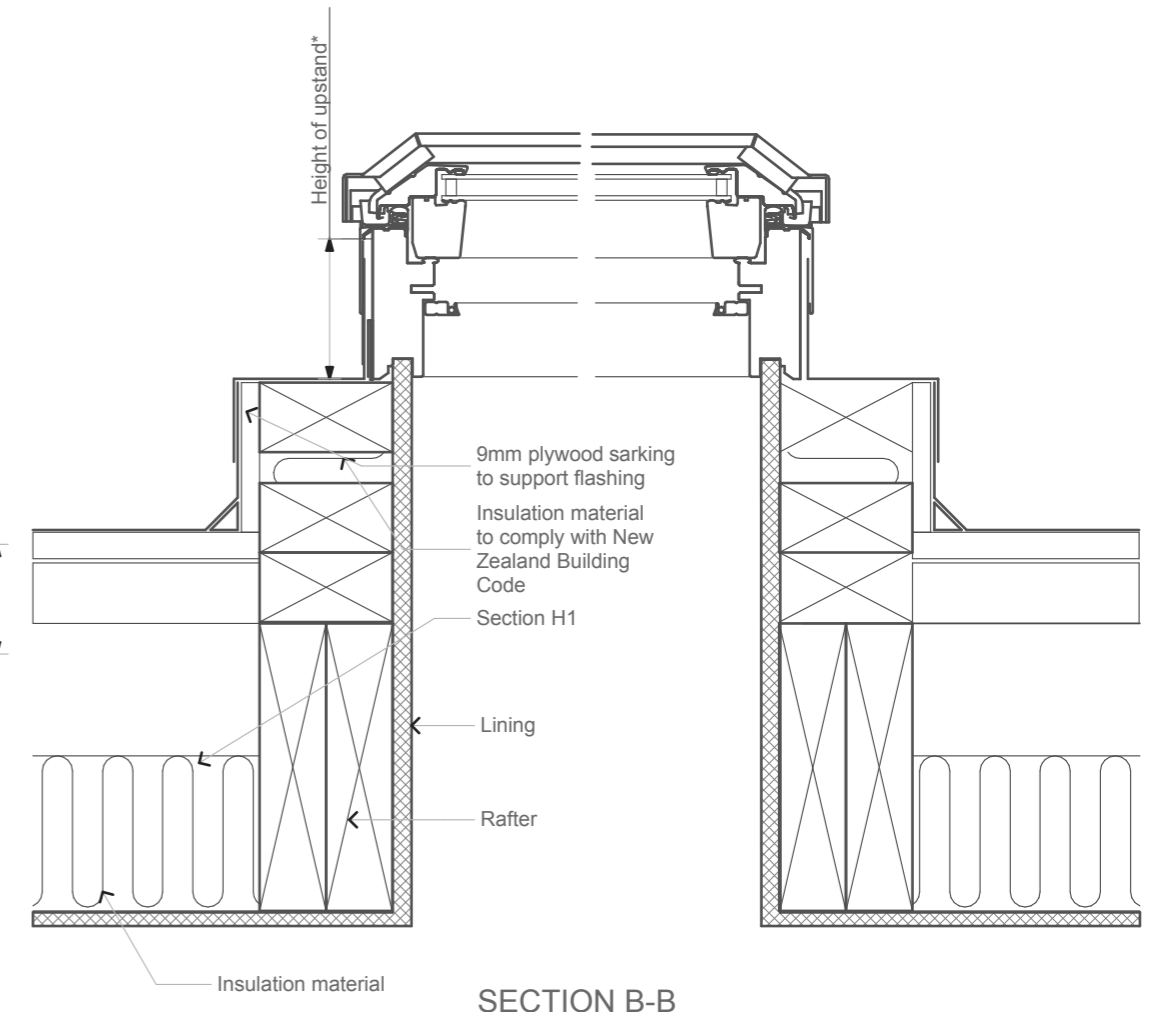
Insulation material meeting the requirements of NZBC/H1 is required in the cavities of the lightwell structure



**ELEVATION**



**SECTION A-A**



**SECTION B-B**

**SUGGESTED INSTALLATION - VSE ELECTRIC OPENING SKYLIGHT IN MEMBRANE ROOFS (PITCH < 15 DEGREES)**

<b>VELUX</b> Sky-Product Management VSE Electric Opening Skylight in membrane roof (pitch <15 degrees)	<b>NEW ZEALAND LTD.</b> 0800 650 445		Name	Date
	Drawn by		June 09	
	Checked by		June 09	
	Drawing No.			

This drawing is an instrument of service and is provided for informational use only.