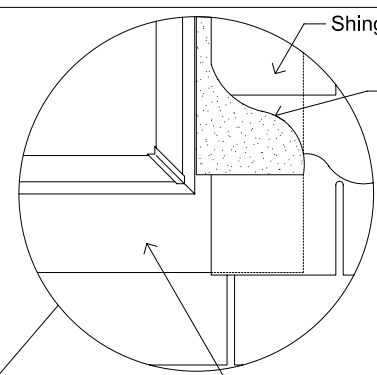


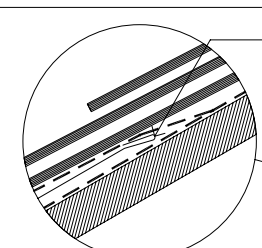
ELEVATION



Shingle
1st. step flashing piece (position leading edge of 1st step flashing at corner of curb)

VELUX EDL Bottom Flashing

BASIS OF DESIGN:
VELUX Venting Skylight (VS, VSE)



VELUX EDL Head Flashing placed between underlayment

VELUX EDL Head Flashing placed between underlayment

60-150 mm

Underlayment

Sheathing

	VS VSE
	EDL
	Asphalt shingles
	15°-90°

Insulation - place carefully around window

Headers or blocking as required per code(s)

Horizontal soffit lining

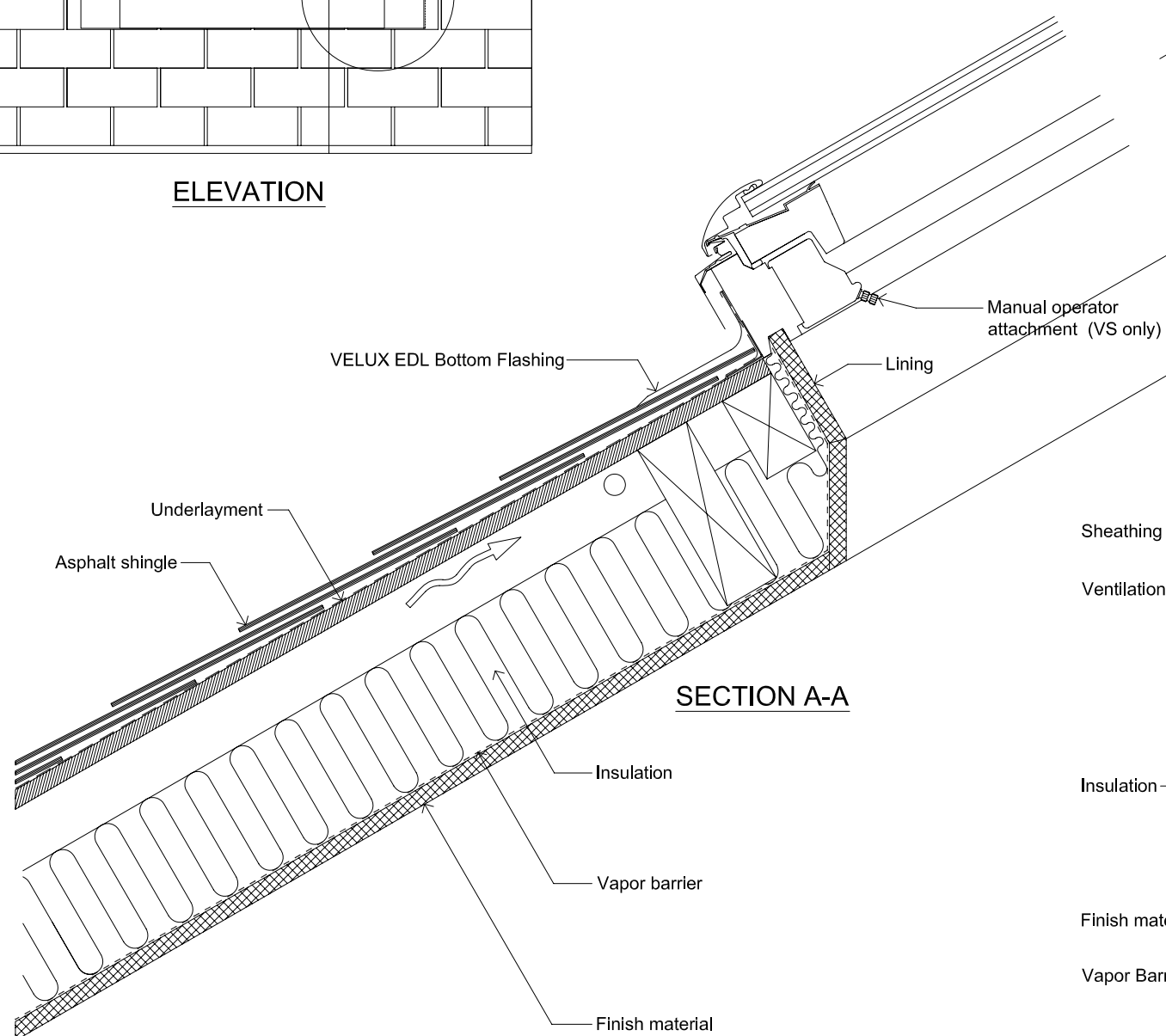
6 mm Max.
1/4" Max.

Underlayment

VELUX EDL Step flashing

Asphalt shingle

SECTION B-B



SECTION A-A

Manual operator attachment (VS only)

Lining

VELUX EDL Bottom Flashing

Underlayment

Asphalt shingle

Insulation

Vapor barrier

Finish material

EDL-flashing gutter

Fixing angle bracket attached to roof structure with fasteners supplied with skylight

Sheathing

Ventilation

Insulation

Finish material

Vapor Barrier

BASIS OF DESIGN:
VELUX Venting Skylight (VS, VSE)

Tight joint between finish groove and finish material

Lining

Rafter

Underlayment

VELUX EDL Step flashing

	AUSTRALIA PTY. LTD +612 8565 6000		Name	Date
	Sky-Product Management		Drawn by Checked by Drawing No.	Dec. 09 Dec. 09
VS, VSE - Venting Skylight and EDL flashing in Shingle Roof				

This drawing is an instrument of service and is provided for informational use only.